

4

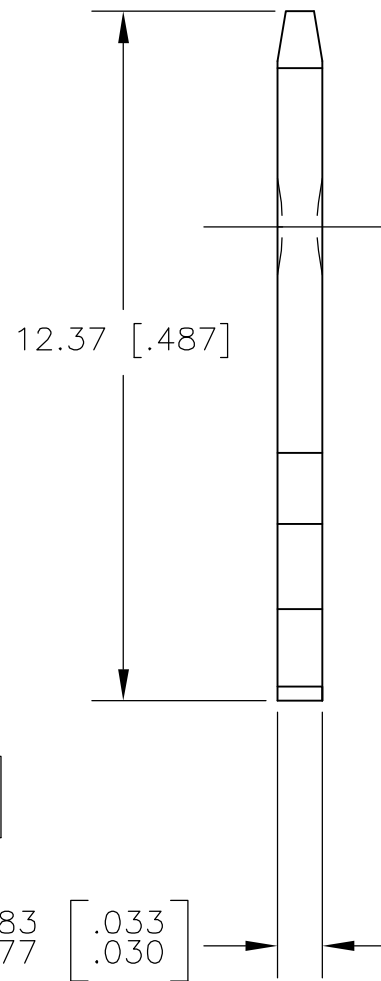
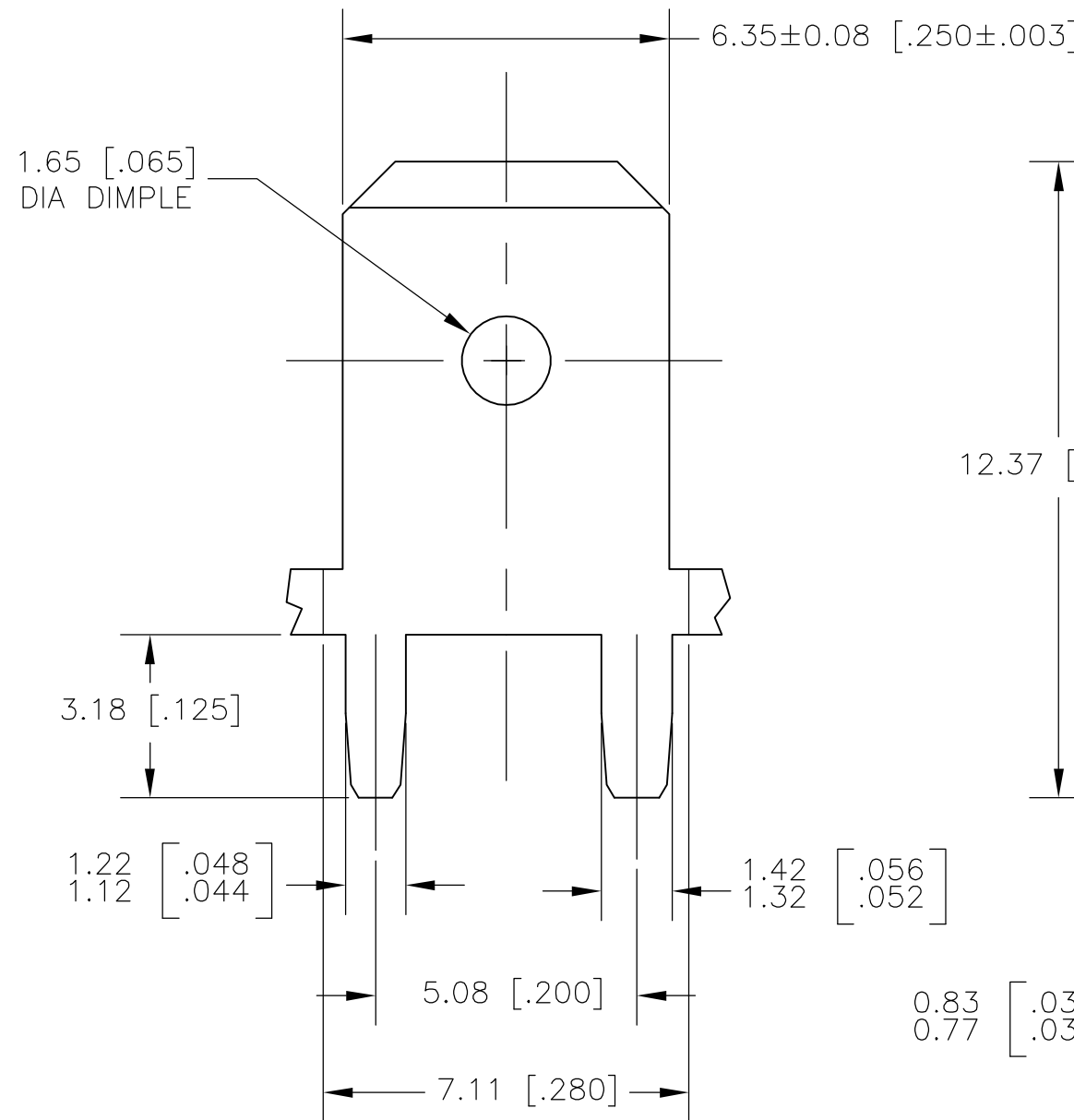
3

2

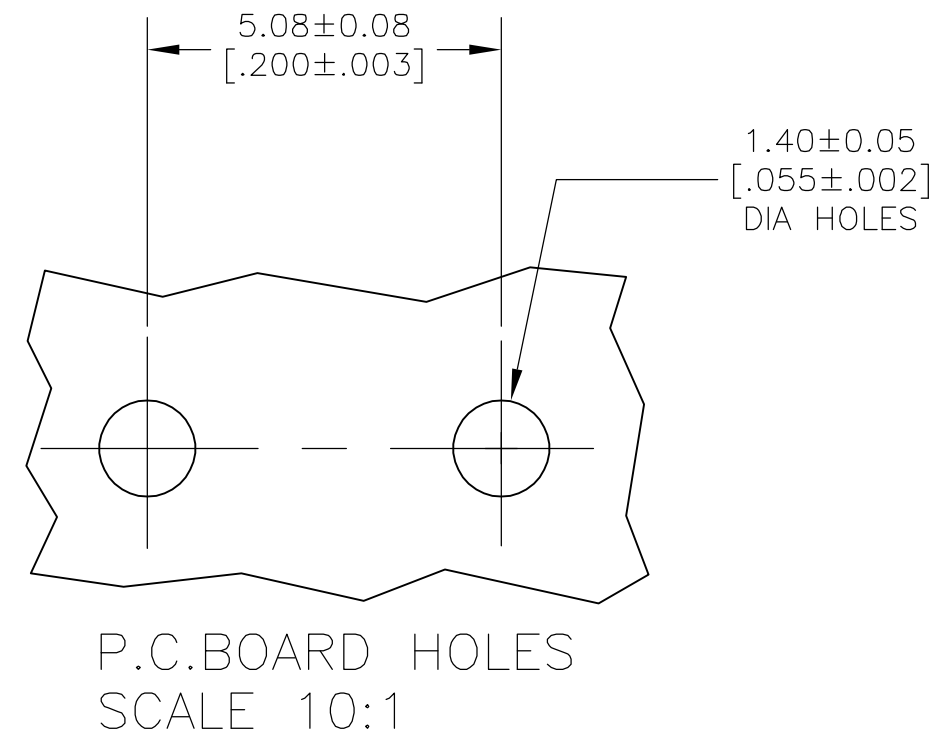
1

THIS DRAWING IS UNPUBLISHED. RELEASED FOR PUBLICATION --  
 © COPYRIGHT BY TYCO ELECTRONICS CORPORATION. ALL RIGHTS RESERVED.

LOC	DIST	REVISIONS			
P	LTR	DESCRIPTION	DATE	DWN	APVD
AF	50	H	REV PER ECR-05-017407	14APR06	HMR KR



1 CONTINUOUS STRIP ON REELS.  
 △ 0.00381 [.000150] MIN TIN OVER  
 0.00254 [.000100] MIN THK COPPER.



62650-1  
 PART NUMBER

THIS DRAWING IS A CONTROLLED DOCUMENT.		DWN JR RUTH 30NOV00	Tyco Electronics Corporation Harrisburg, PA 17105-3608		
DIMENSIONS: mm [INCHES]		CHK MS FEHER 30NOV00			
TOLERANCES UNLESS OTHERWISE SPECIFIED:		APVD G PORTA 30NOV00	NAME TAB, FASTON, PC BOARD, 6.35 [.250] SERIES		
0 PLC ± - 1 PLC ± - 2 PLC ± 0.38 [.015] 3 PLC ± - 4 PLC ± - ANGLES ± -		PRODUCT SPEC -	RESTRICTED TO -		
MATERIAL 082 BRASS	FINISH TIN OVER COPPER	APPLICATION SPEC 114-2112	SIZE A3	CAGE CODE 00779	DRAWING NO C-62650
CUSTOMER DRAWING			WEIGHT -	SCALE 8:1	SHEET 1 OF 1
			REV H		